

4

3

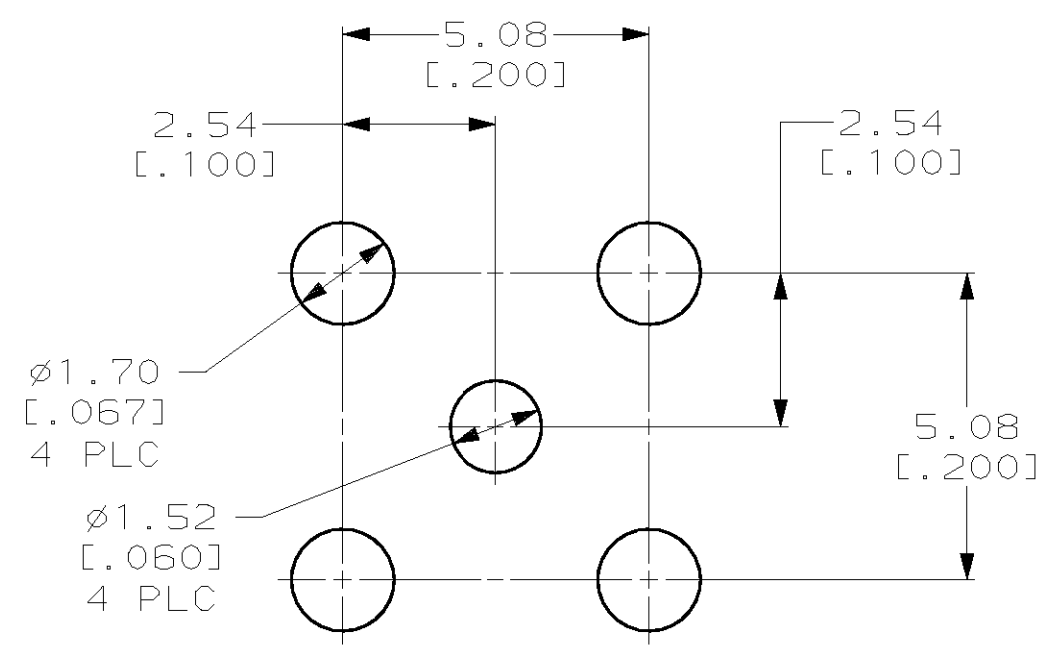
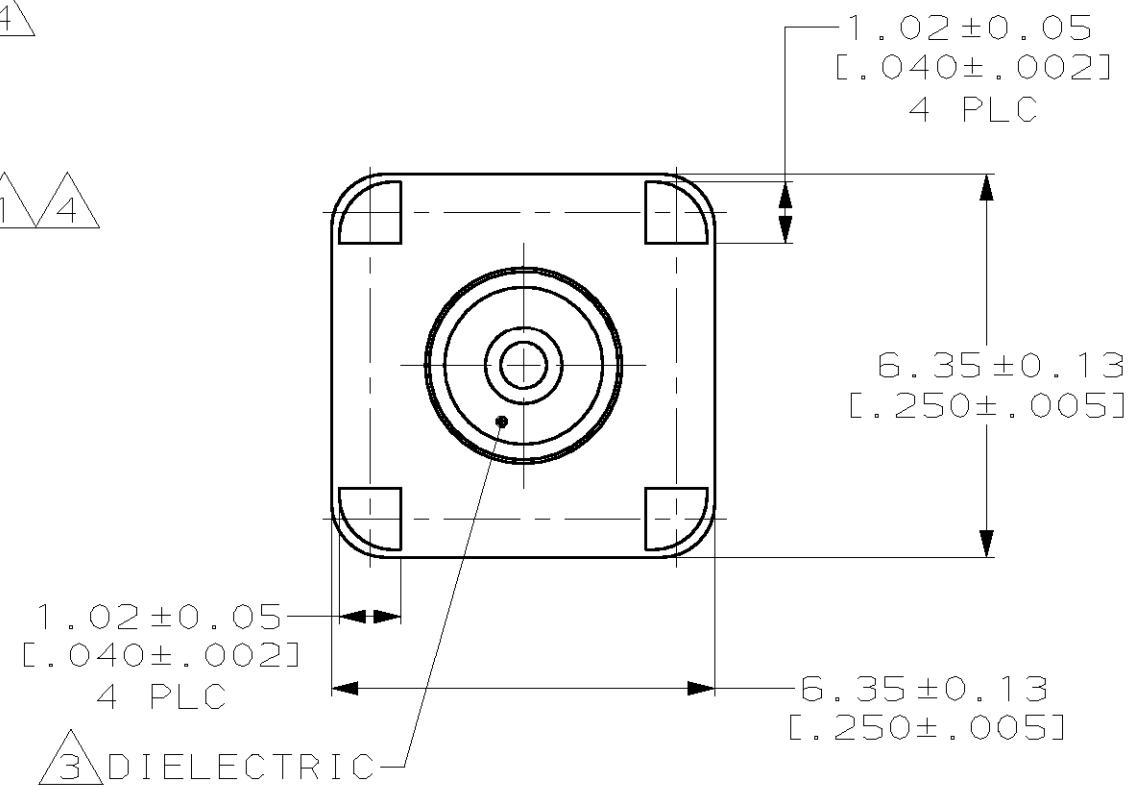
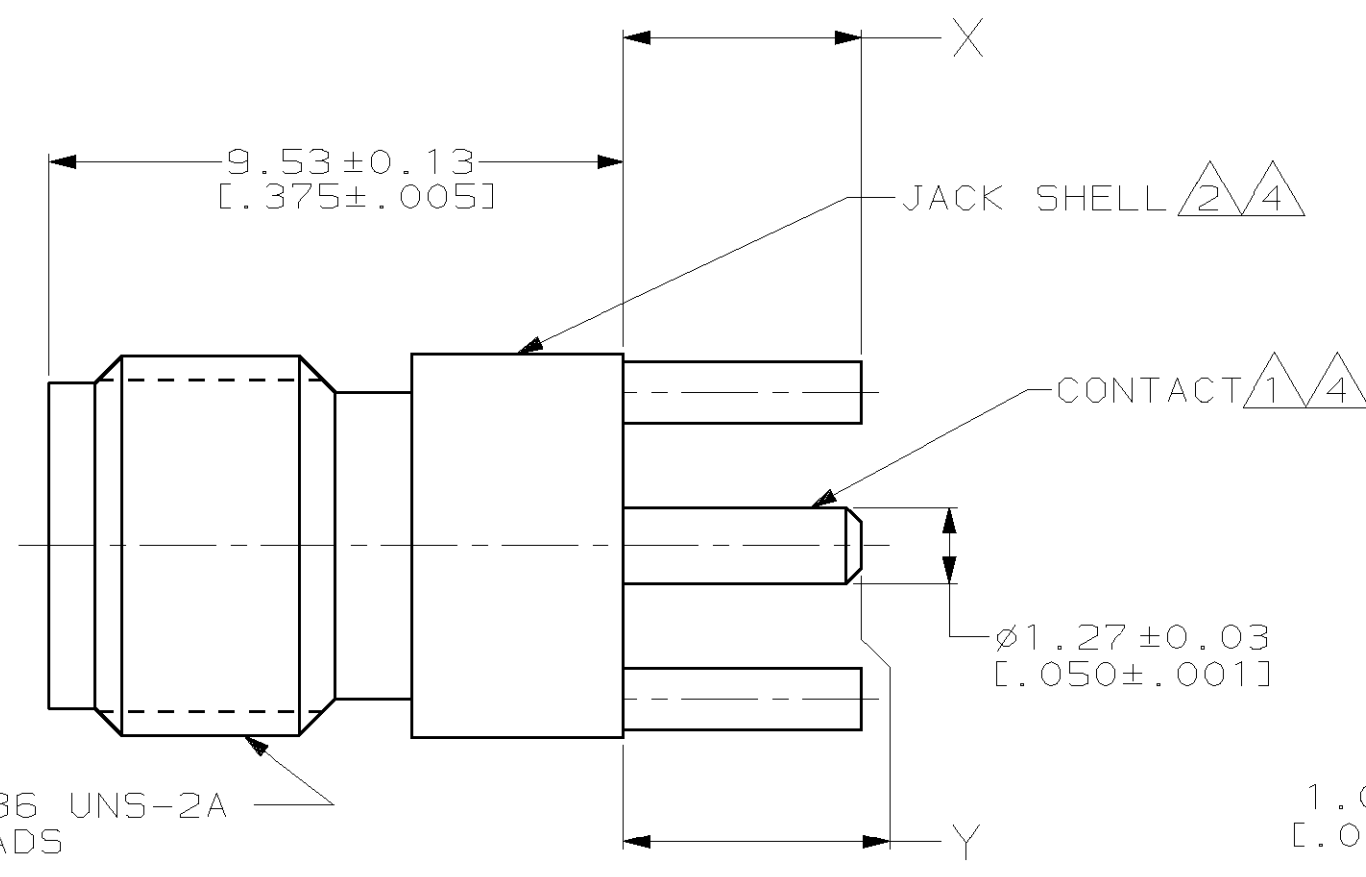
2

1

THIS DRAWING IS UNPUBLISHED. RELEASED FOR PUBLICATION, 19 .  
© COPYRIGHT 19 BY AMP INCORPORATED. ALL RIGHTS RESERVED.

LOC	DIST	REVISIONS			
P	LTR	DESCRIPTION	DATE	DWN	APVD
AJ	16	E	REV PER 0U20-0090-99	22SEP99	MO JH

- ① BERYLLIUM COPPER PER ASTM-B-197.
- ② BRASS PER ASTM-B-16.
- ③ TEFLON, PTFE, PER ASTM-D-1710.
- ④ GOLD PLATE PER MIL-G-45204.
- ⑤ PACKAGED ON TAPE & REEL PER EIA-STD481 WITH SOLDER LEGS DOWN.



⑤	$2.67^{+0.25}_{-0.15}$ [ $.105^{+.010}_{-.006}$ ]	$2.67 \pm 0.13$ [ $.105 \pm .005$ ]	221789-4
	$2.67^{+0.25}_{-0.15}$ [ $.105^{+.010}_{-.006}$ ]	$2.67 \pm 0.13$ [ $.105 \pm .005$ ]	221789-3
	$3.94$ [ $.155$ ]	$3.94 \pm 0.25$ [ $.155 \pm .010$ ]	221789-1
	Y	X	PART NUMBER

RECOMMENDED PCB CONFIGURATION

THIS DRAWING IS A CONTROLLED DOCUMENT.		DWN B. MOYER 25NOV97	<b>AMP</b> AMP Incorporated Harrisburg, PA 17105-3608	
DIMENSIONS: mm [INCHES]		CHK J. CABARLO 25NOV97		
TOLERANCES UNLESS OTHERWISE SPECIFIED:		APVD J. CABARLO 25NOV97	NAME JACK, VERTICAL, PCB, SMA SERIES	
0 PLC ±-		PRODUCT SPEC	SIZE	
1 PLC ±-		APPLICATION SPEC	CAGE CODE	
2 PLC ±0.08 [.003]			DRAWING NO	
3 PLC ±-			RESTRICTED TO	
4 PLC ±-			A3 00779 C-221789	
ANGLES ±-			SCALE 8:1	
MATERIAL ①②③		WEIGHT	SHEET 1 OF 1	
FINISH ④			REV E	
CUSTOMER DRAWING				